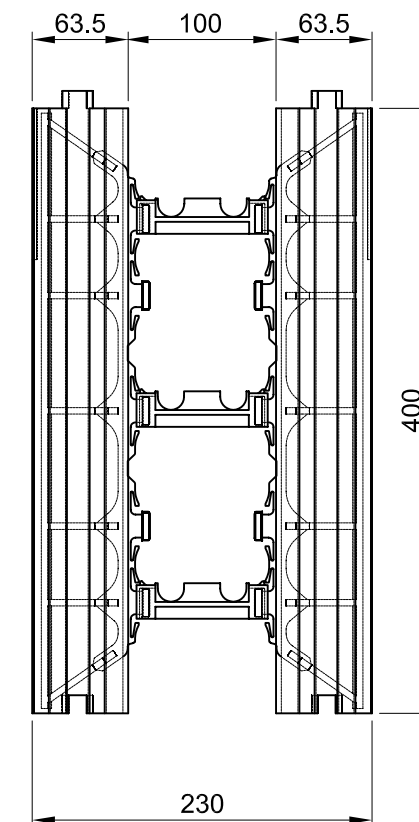
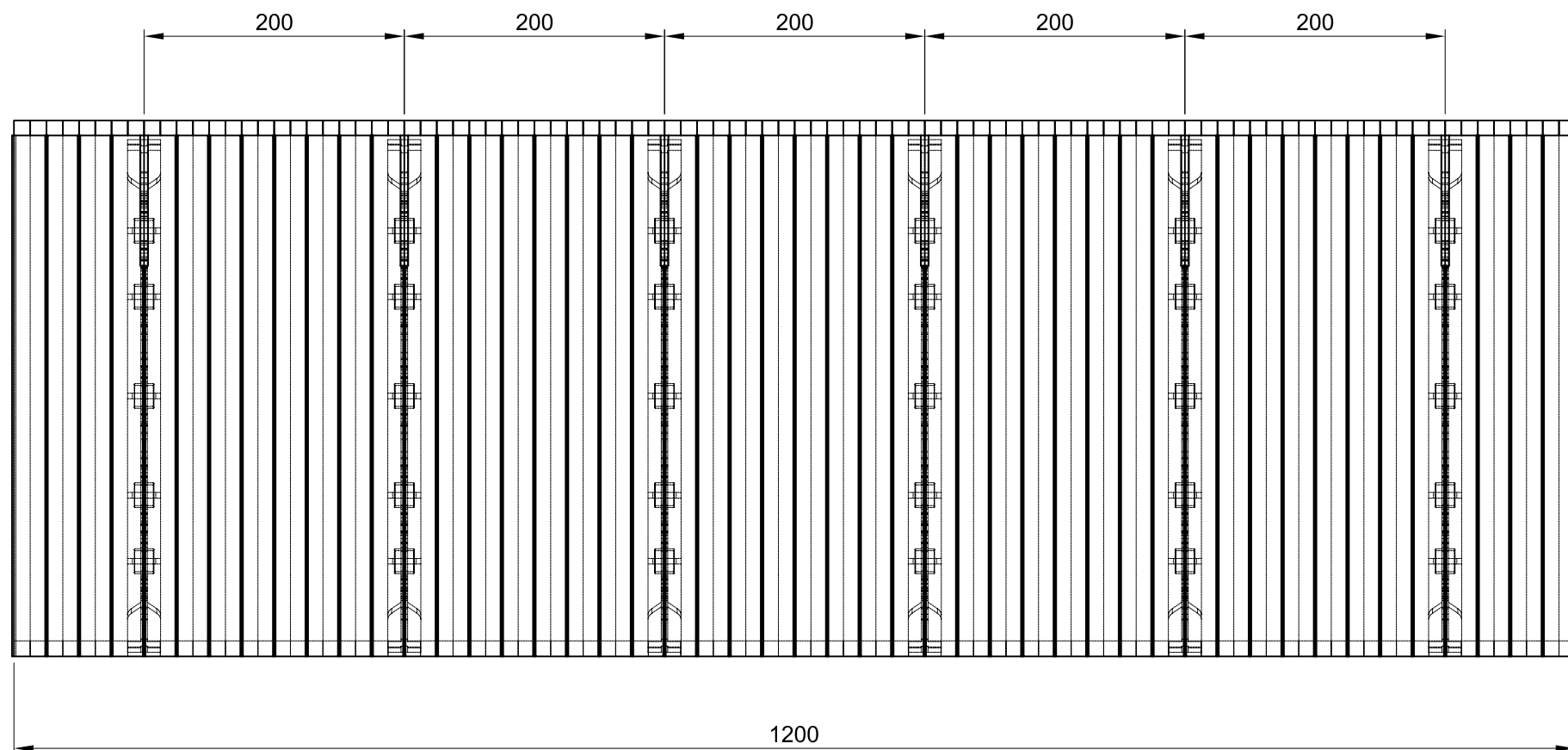


WALL SURFACE AREA = 0.48m<sup>2</sup> PER BLOCK  
 CONCRETE VOLUME = 0.048m<sup>3</sup> PER BLOCK



NOTE:  
 IT IS THE RESPONSIBILITY OF THE  
 DESIGNER / END USER TO VERIFY THAT  
 STRUCTURES BUILT WITH ECO-BLOCK  
 HAVE BEEN DESIGNED, ENGINEERED, AND  
 CONSTRUCTED IN ACCORDANCE WITH ALL  
 APPLICABLE BUILDING CODES AND REGULATIONS

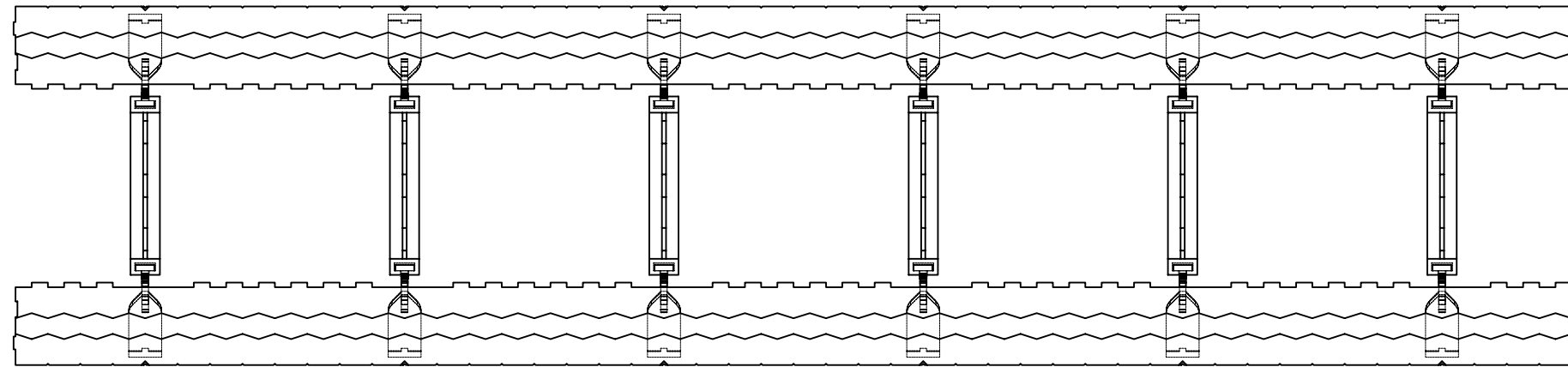


www.eco-blocknz.co.nz

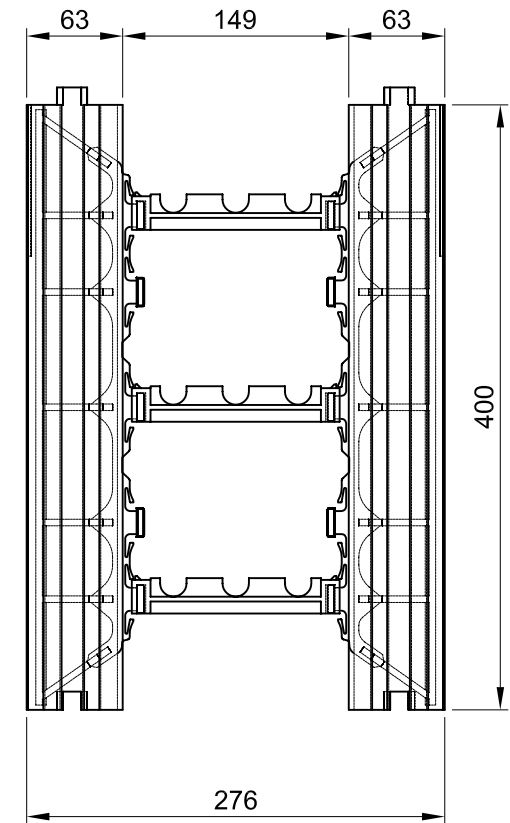
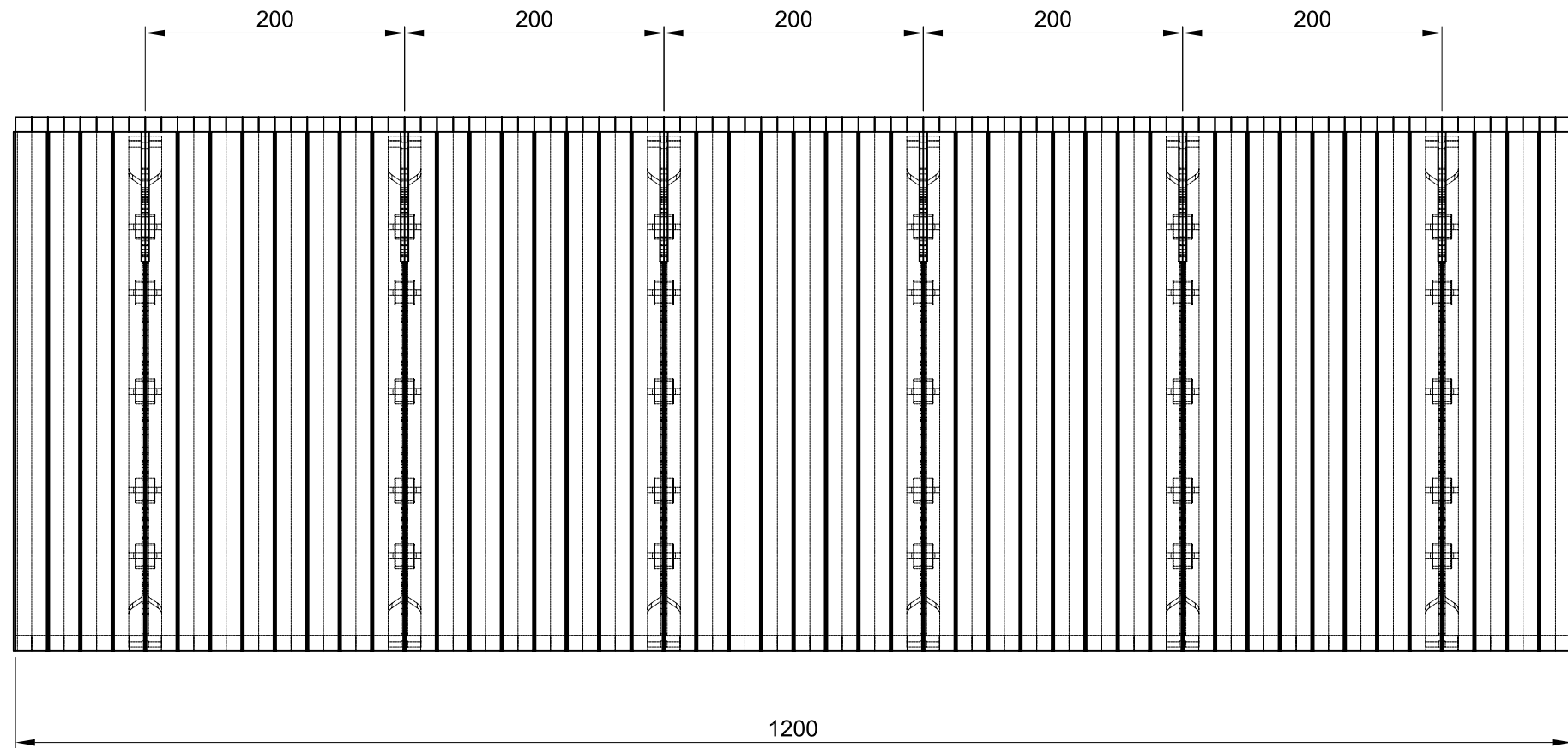
230mm ECO-BLOCK SYSTEM  
 STRAIGHT BLOCK PANEL  
 ICF SOLUTIONS LIMITED

|                           |                  |          |
|---------------------------|------------------|----------|
| SCALE<br>1:5              | SHEET SIZE<br>A3 | REV<br>1 |
| DRAWING NO.<br>EBNZ-P-001 |                  |          |

ALL RIGHTS RESERVED. UNAUTHORISED USE PROHIBITED. COPYRIGHT



WALL SURFACE AREA = 0.48m<sup>2</sup> PER BLOCK  
 CONCRETE VOLUME = 0.072m<sup>3</sup> PER BLOCK



NOTE:  
 IT IS THE RESPONSIBILITY OF THE  
 DESIGNER / END USER TO VERIFY THAT  
 STRUCTURES BUILT WITH ECO-BLOCK  
 HAVE BEEN DESIGNED, ENGINEERED, AND  
 CONSTRUCTED IN ACCORDANCE WITH ALL  
 APPLICABLE BUILDING CODES AND REGULATIONS



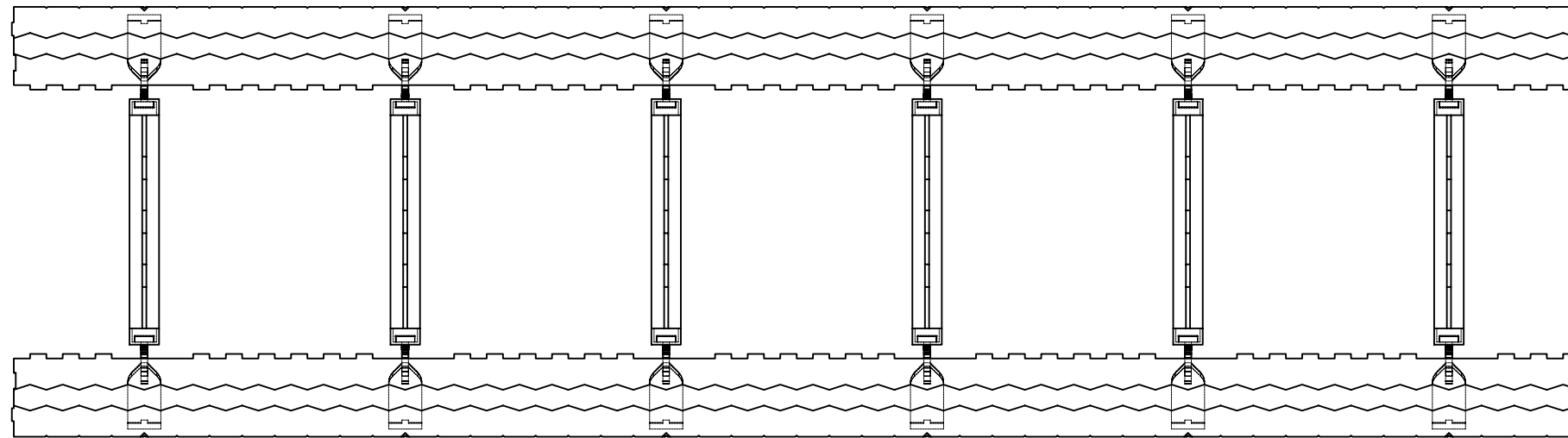
www.eco-blocknz.co.nz

280mm ECO-BLOCK SYSTEM  
 STRAIGHT BLOCK PANEL  
 ICF SOLUTIONS LIMITED

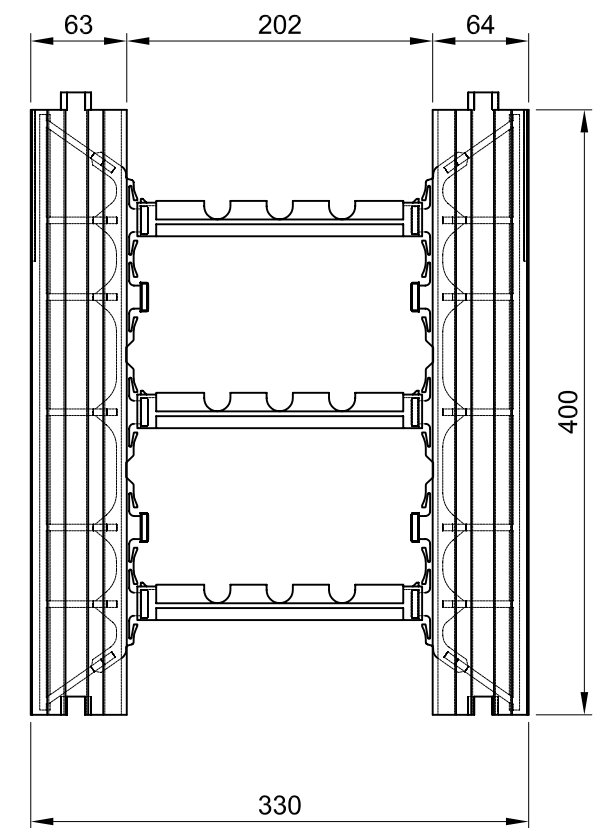
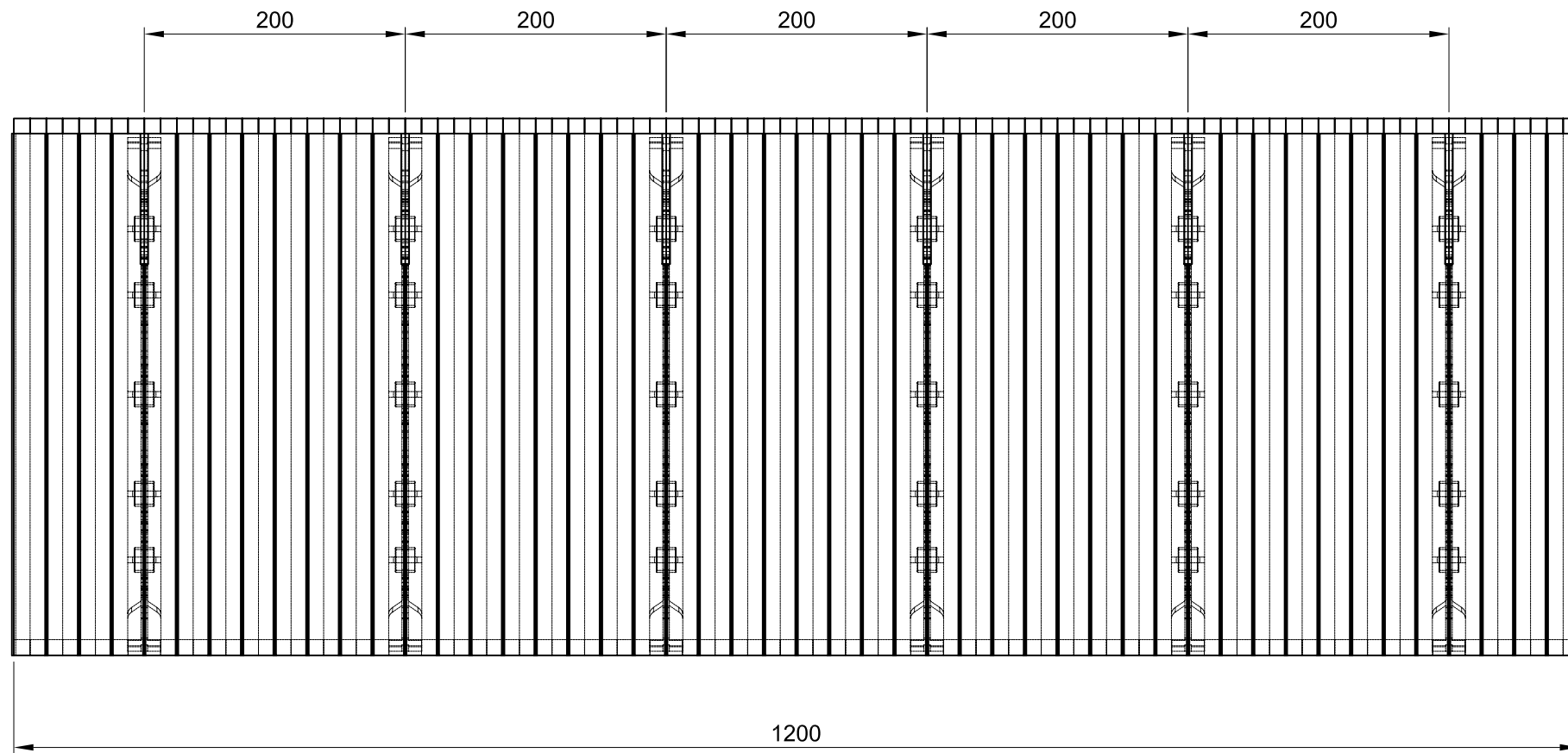
|                           |                  |          |
|---------------------------|------------------|----------|
| SCALE<br>1:5              | SHEET SIZE<br>A3 | REV<br>1 |
| DRAWING NO.<br>EBNZ-P-002 |                  |          |

ALL RIGHTS RESERVED. UNAUTHORISED USE PROHIBITED.  
 COPYRIGHT





WALL SURFACE AREA = 0.48m<sup>2</sup> PER BLOCK  
 CONCRETE VOLUME = 0.096m<sup>3</sup> PER BLOCK



NOTE:  
 IT IS THE RESPONSIBILITY OF THE  
 DESIGNER / END USER TO VERIFY THAT  
 STRUCTURES BUILT WITH ECO-BLOCK  
 HAVE BEEN DESIGNED, ENGINEERED, AND  
 CONSTRUCTED IN ACCORDANCE WITH ALL  
 APPLICABLE BUILDING CODES AND REGULATIONS



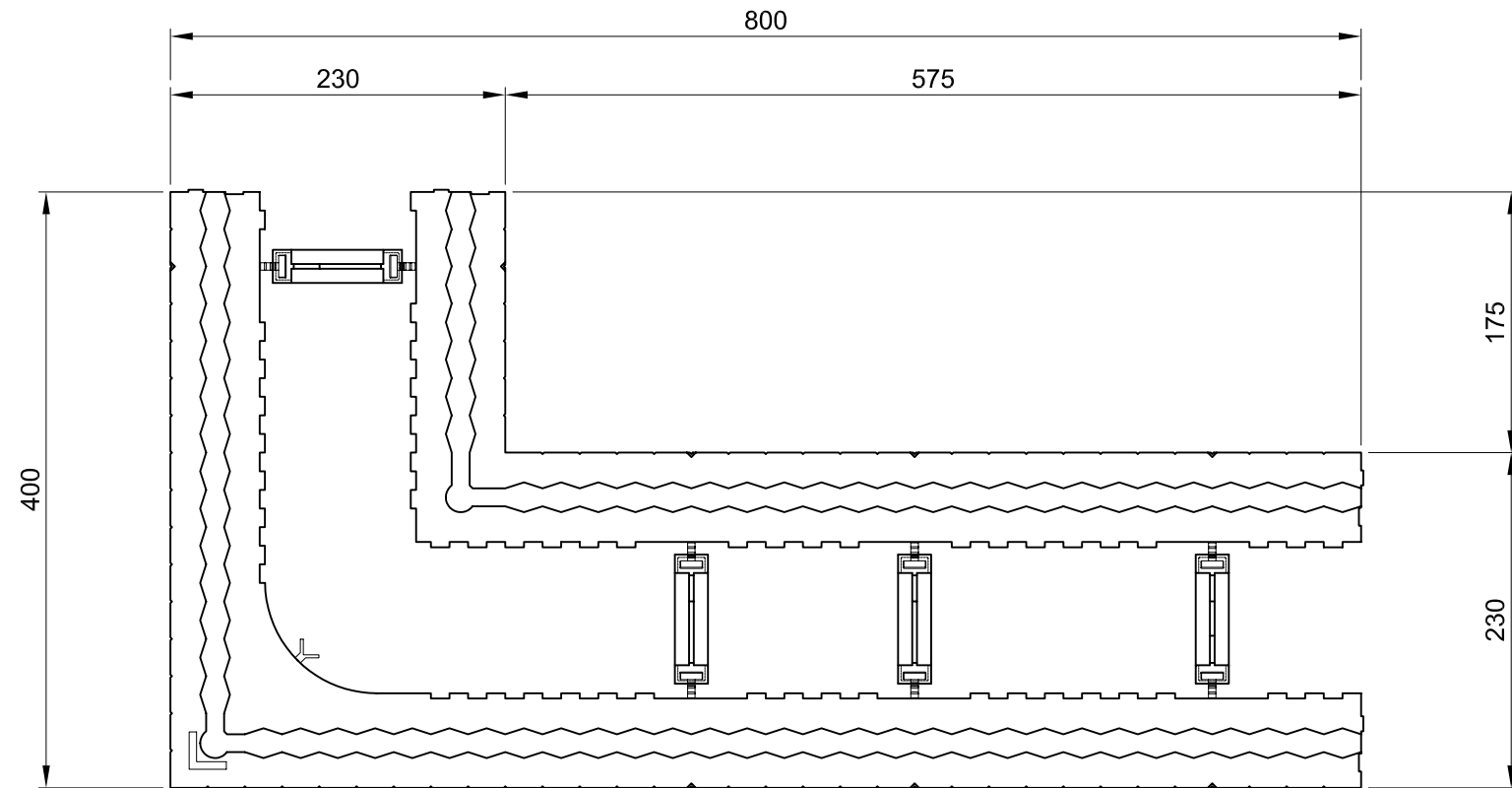
www.eco-blocknz.co.nz

330mm ECO-BLOCK SYSTEM  
 STRAIGHT BLOCK PANEL  
 ICF SOLUTIONS LIMITED

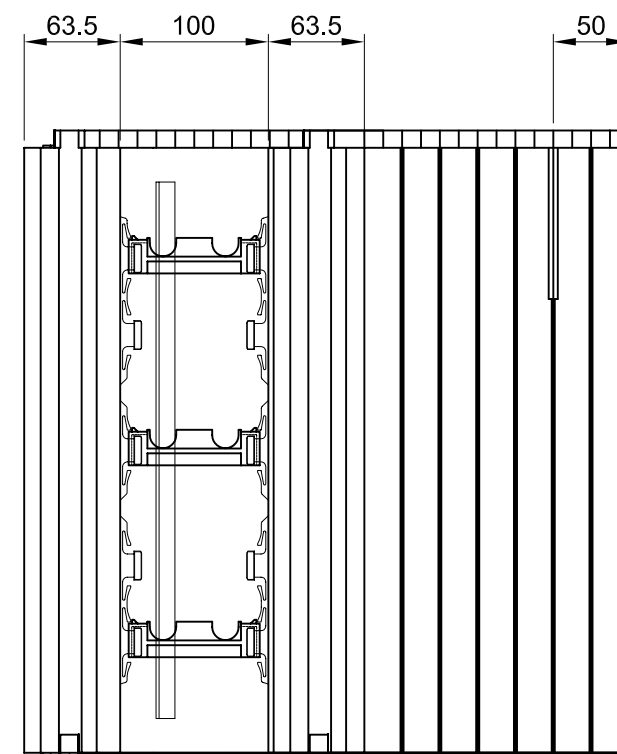
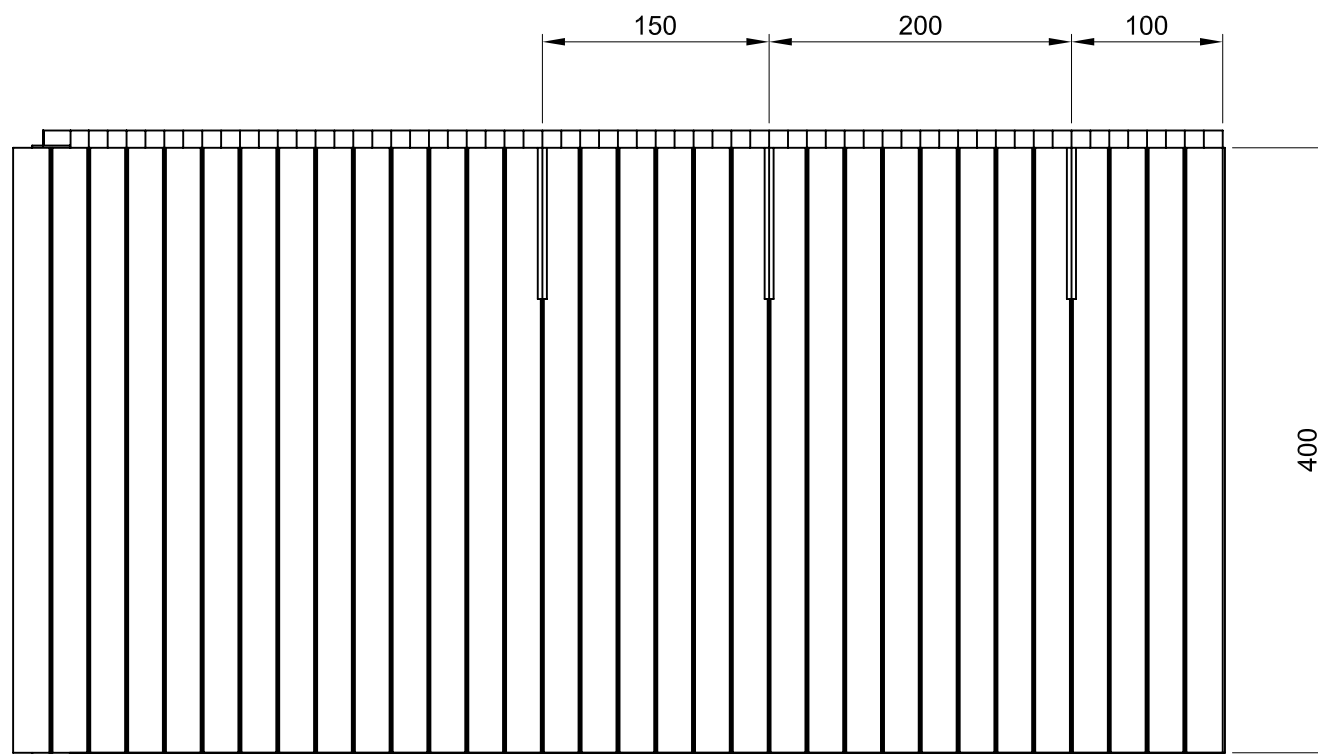
|                           |                  |          |
|---------------------------|------------------|----------|
| SCALE<br>1:5              | SHEET SIZE<br>A3 | REV<br>1 |
| DRAWING NO.<br>EBNZ-P-003 |                  |          |

ALL RIGHTS RESERVED. UNAUTHORISED USE PROHIBITED.  
 COPYRIGHT

©



OUTER WALL SURFACE AREA = 0.48m<sup>2</sup> PER BLOCK  
 CONCRETE VOLUME = 0.04m<sup>3</sup> PER BLOCK



NOTE:  
 IT IS THE RESPONSIBILITY OF THE  
 DESIGNER / END USER TO VERIFY THAT  
 STRUCTURES BUILT WITH ECO-BLOCK  
 HAVE BEEN DESIGNED, ENGINEERED, AND  
 CONSTRUCTED IN ACCORDANCE WITH ALL  
 APPLICABLE BUILDING CODES AND REGULATIONS



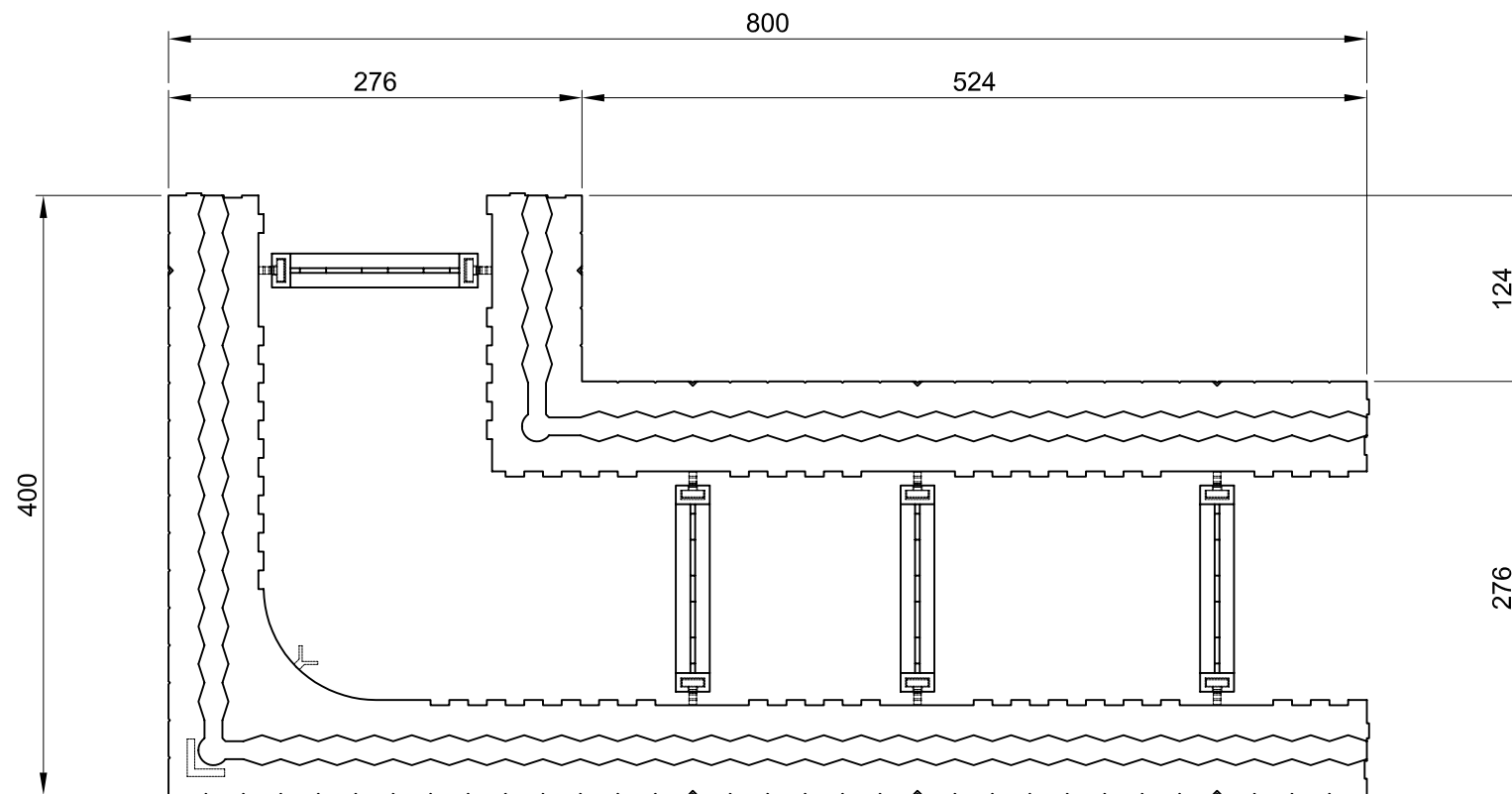
www.eco-blocknz.co.nz

230mm ECO-BLOCK SYSTEM  
 CORNER BLOCK  
 ICF SOLUTIONS LIMITED

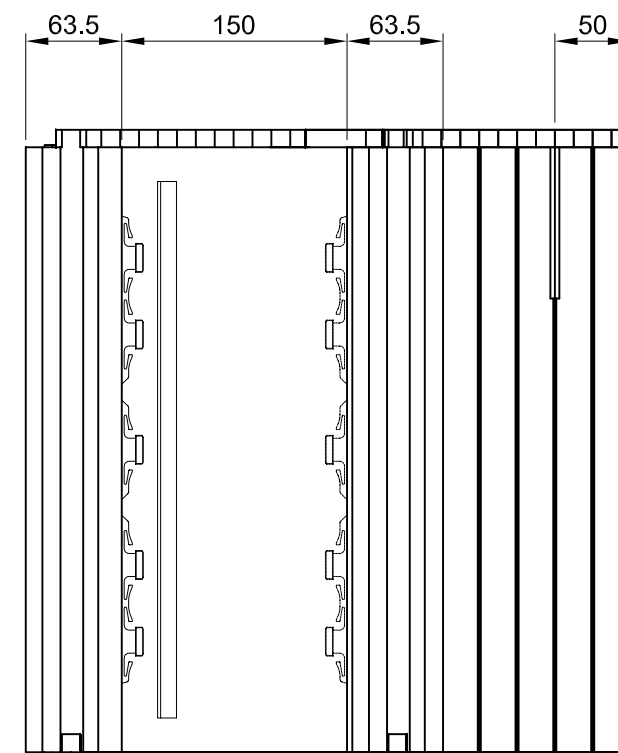
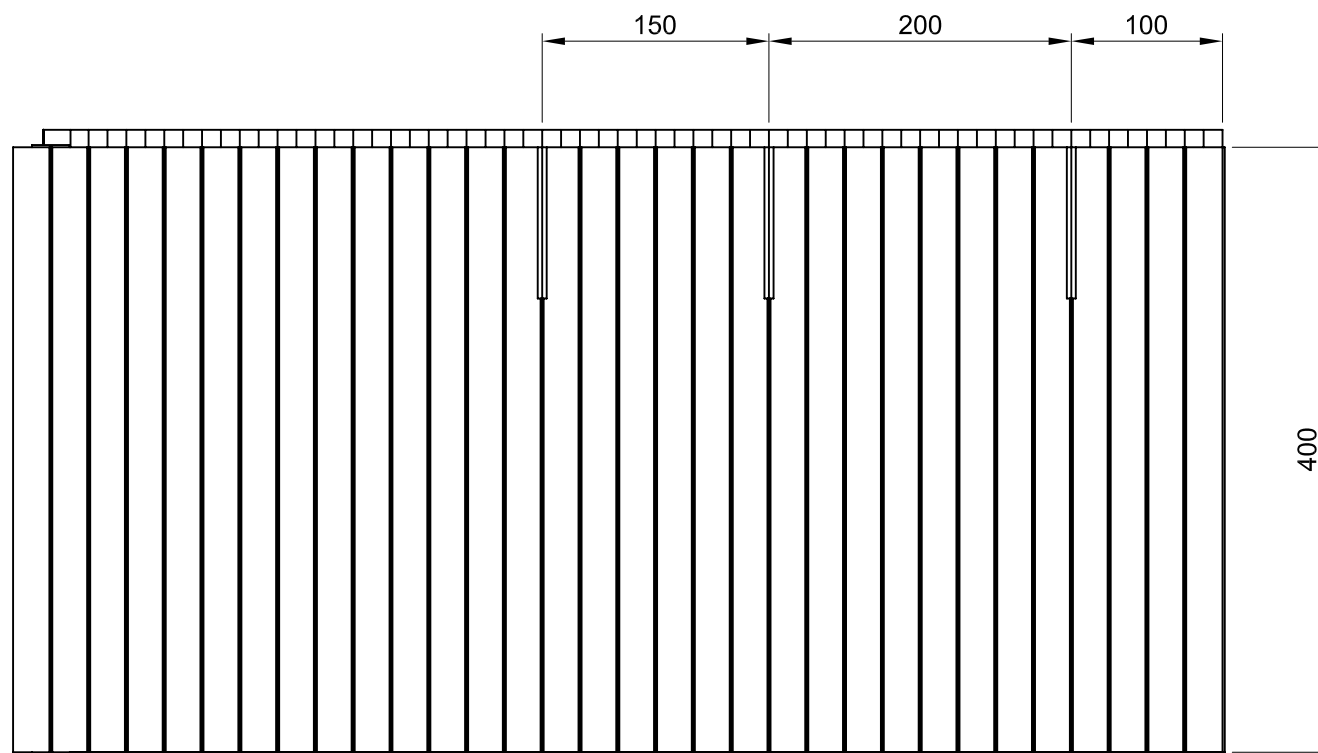
|                           |                  |          |
|---------------------------|------------------|----------|
| SCALE<br>1:5              | SHEET SIZE<br>A3 | REV<br>1 |
| DRAWING NO.<br>EBNZ-P-004 |                  |          |

ALL RIGHTS RESERVED. UNAUTHORISED USE PROHIBITED.  
 COPYRIGHT

©



OUTER WALL SURFACE AREA = 0.48m<sup>2</sup> PER BLOCK  
 CONCRETE VOLUME = 0.056m<sup>3</sup> PER BLOCK



NOTE:  
 IT IS THE RESPONSIBILITY OF THE  
 DESIGNER / END USER TO VERIFY THAT  
 STRUCTURES BUILT WITH ECO-BLOCK  
 HAVE BEEN DESIGNED, ENGINEERED, AND  
 CONSTRUCTED IN ACCORDANCE WITH ALL  
 APPLICABLE BUILDING CODES AND REGULATIONS



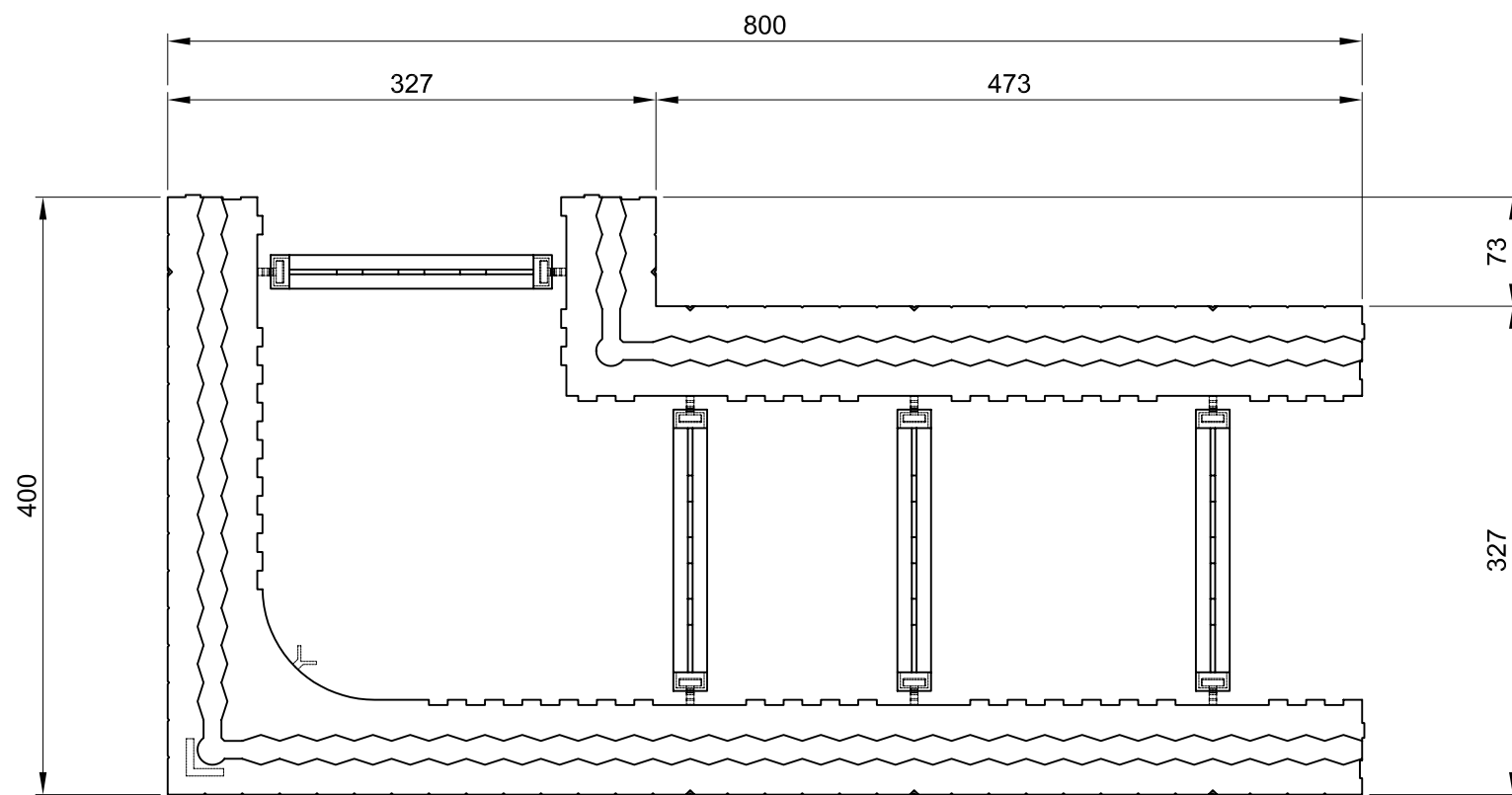
www.eco-blocknz.co.nz

280mm ECO-BLOCK SYSTEM  
 CORNER BLOCK  
 ICF SOLUTIONS LIMITED

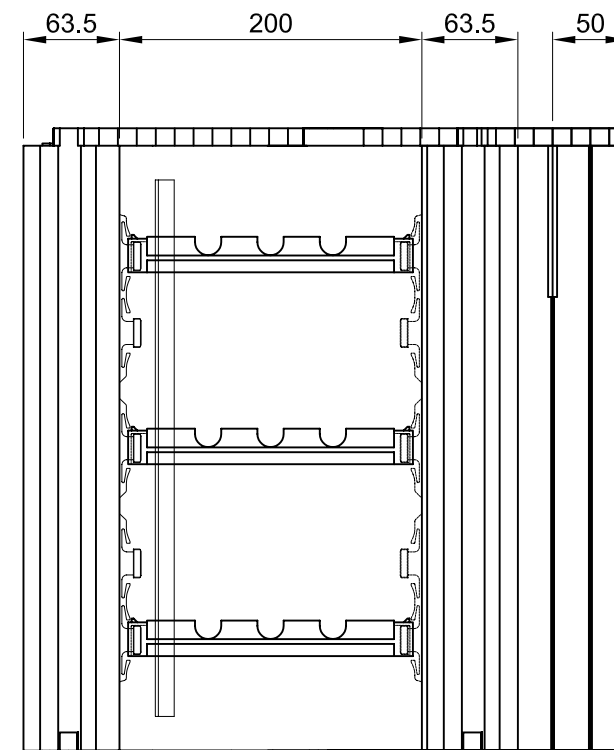
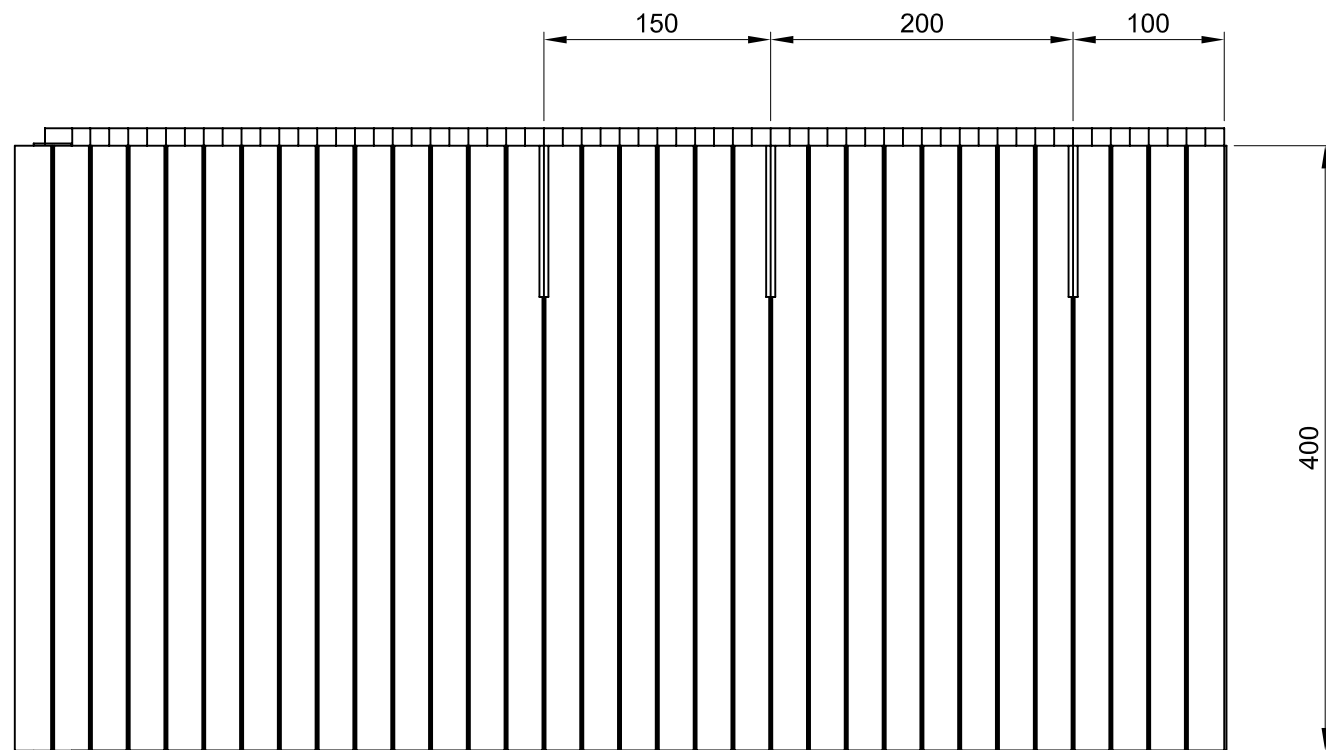
|                           |                  |          |
|---------------------------|------------------|----------|
| SCALE<br>1:5              | SHEET SIZE<br>A3 | REV<br>1 |
| DRAWING NO.<br>EBNZ-P-005 |                  |          |

ALL RIGHTS RESERVED. UNAUTHORISED USE PROHIBITED.  
 COPYRIGHT





OUTER WALL SURFACE AREA = 0.48m<sup>2</sup> PER BLOCK  
 CONCRETE VOLUME = 0.07m<sup>3</sup> PER BLOCK



NOTE:  
 IT IS THE RESPONSIBILITY OF THE  
 DESIGNER / END USER TO VERIFY THAT  
 STRUCTURES BUILT WITH ECO-BLOCK  
 HAVE BEEN DESIGNED, ENGINEERED, AND  
 CONSTRUCTED IN ACCORDANCE WITH ALL  
 APPLICABLE BUILDING CODES AND REGULATIONS



www.eco-blocknz.co.nz

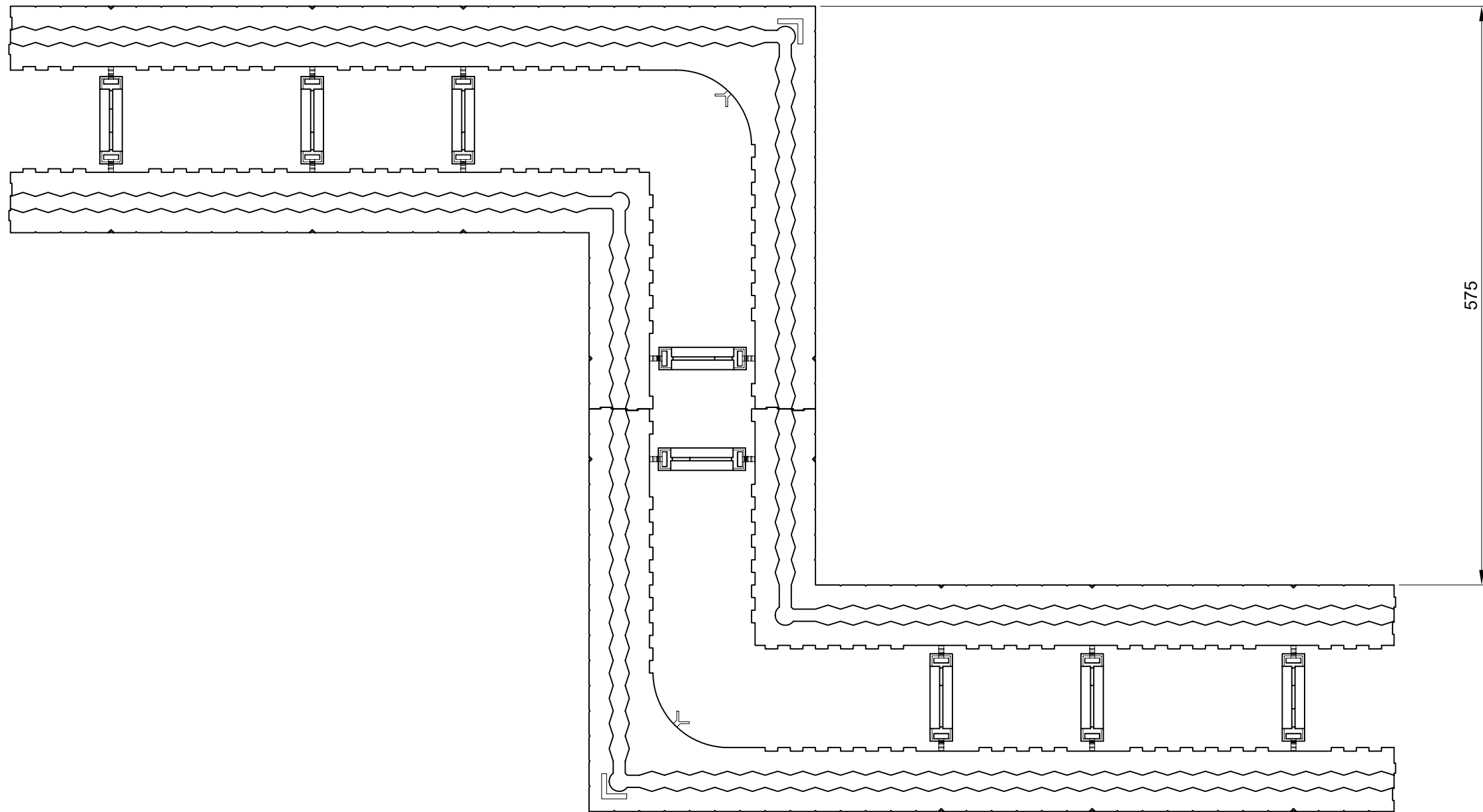
330mm ECO-BLOCK SYSTEM  
 CORNER BLOCK  
 ICF SOLUTIONS LIMITED

|                           |                  |          |
|---------------------------|------------------|----------|
| SCALE<br>1:5              | SHEET SIZE<br>A3 | REV<br>1 |
| DRAWING NO.<br>EBNZ-P-006 |                  |          |

ALL RIGHTS RESERVED. UNAUTHORISED USE PROHIBITED.  
 COPYRIGHT

1 2 3 4 5 6 7 8 9 10 11 12 13 14 15 16 17 18 19 20

A  
B  
C  
D  
E  
F  
G  
H  
J  
K  
L  
M  
N  
P



575

NOTE:  
IT IS THE RESPONSIBILITY OF THE  
DESIGNER / END USER TO VERIFY THAT  
STRUCTURES BUILT WITH ECO-BLOCK  
HAVE BEEN DESIGNED, ENGINEERED, AND  
CONSTRUCTED IN ACCORDANCE WITH ALL  
APPLICABLE BUILDING CODES AND REGULATIONS



www.eco-blocknz.co.nz

230mm ECO-BLOCK SYSTEM  
CORNER BLOCK DOUBLE RETURN DIMENSION  
ICF SOLUTIONS LIMITED

|              |                  |          |
|--------------|------------------|----------|
| SCALE<br>1:5 | SHEET SIZE<br>A3 | REV<br>1 |
|--------------|------------------|----------|

DRAWING NO.  
**EBNZ-P-007**

ALL RIGHTS RESERVED. UNAUTHORISED USE PROHIBITED. COPYRIGHT

©

1 2 3 4 5 6 7 8 9 10 11 12 13 14 15 16 17 18 19 20

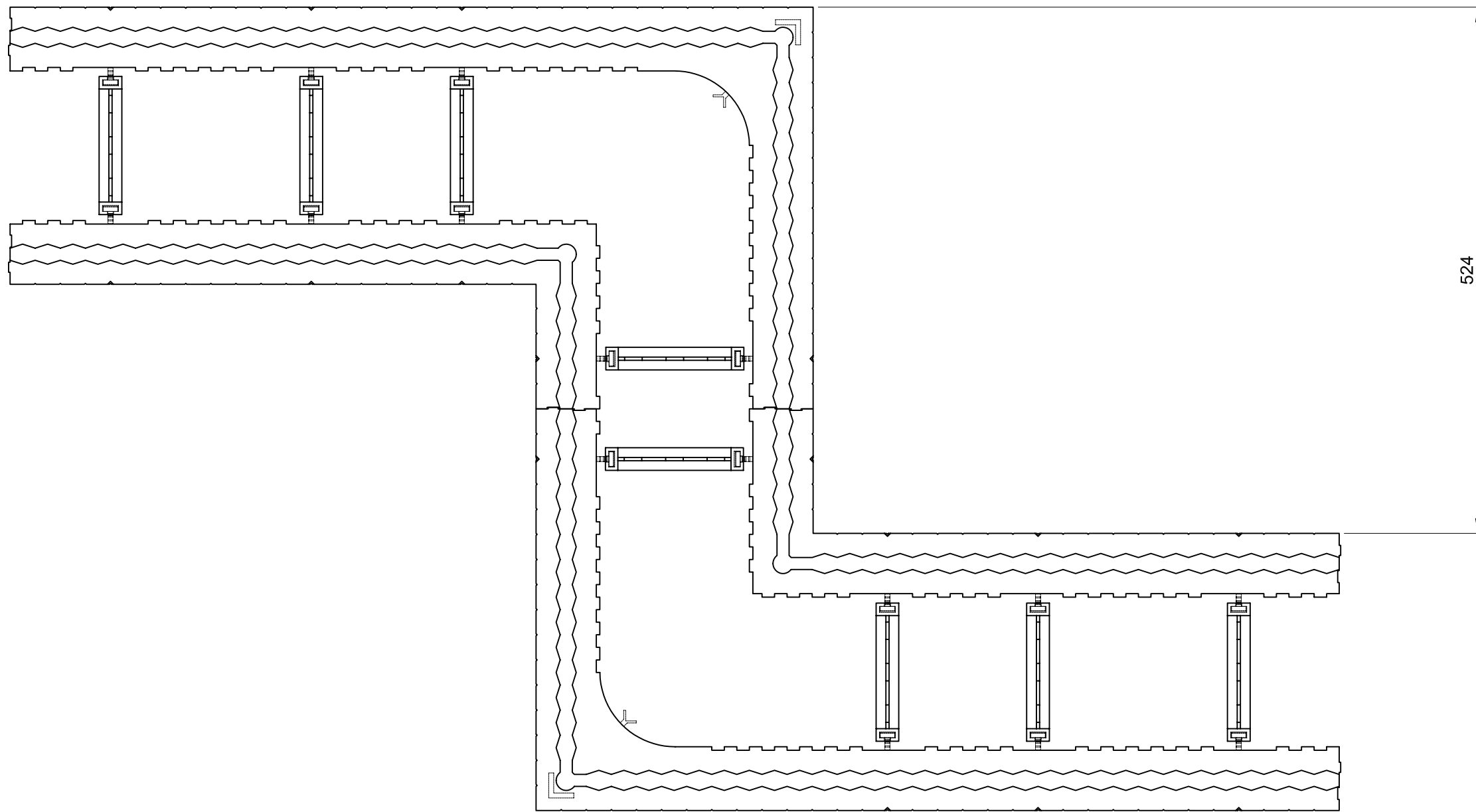
ALL RIGHTS RESERVED. UNAUTHORISED USE PROHIBITED.  
COPYRIGHT

©

1 2 3 4 5 6 7 8 9 10 11 12 13 14 15 16 17 18 19 20

A  
B  
C  
D  
E  
F  
G  
H  
J  
K  
L  
M  
N  
P

A  
B  
C  
D  
E  
F  
G  
H  
J  
K  
L  
M  
N  
P



NOTE:  
IT IS THE RESPONSIBILITY OF THE  
DESIGNER / END USER TO VERIFY THAT  
STRUCTURES BUILT WITH ECO-BLOCK  
HAVE BEEN DESIGNED, ENGINEERED, AND  
CONSTRUCTED IN ACCORDANCE WITH ALL  
APPLICABLE BUILDING CODES AND REGULATIONS



www.eco-blocknz.co.nz

280mm ECO-BLOCK SYSTEM  
CORNER BLOCK DOUBLE RETURN DIMENSION  
ICF SOLUTIONS LIMITED

|                           |                  |          |
|---------------------------|------------------|----------|
| SCALE<br>1:5              | SHEET SIZE<br>A3 | REV<br>1 |
| DRAWING NO.<br>EBNZ-P-008 |                  |          |

1 2 3 4 5 6 7 8 9 10 11 12 13 14 15 16 17 18 19 20



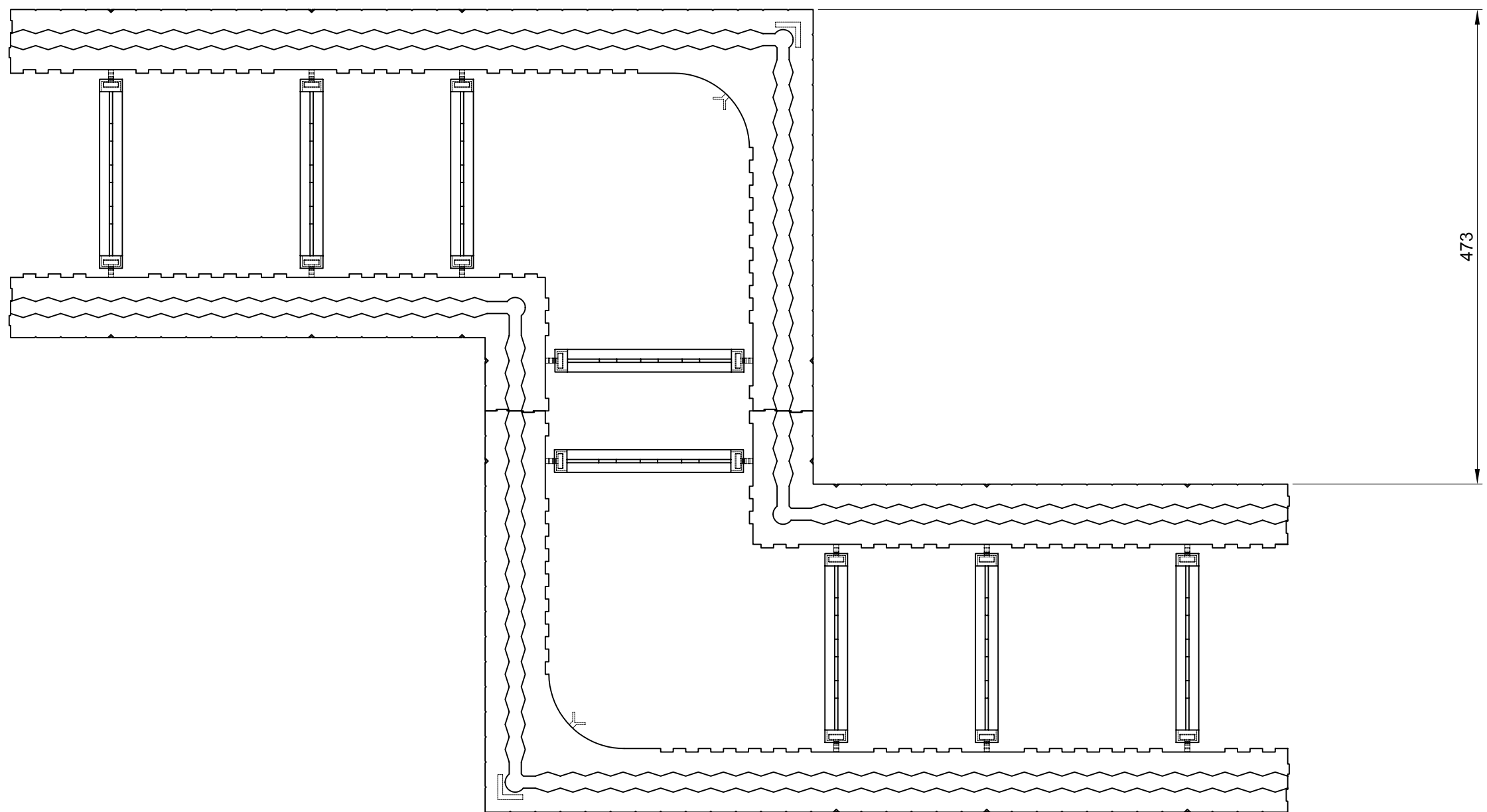
ALL RIGHTS RESERVED. UNAUTHORISED USE PROHIBITED.  
COPYRIGHT

©

1 2 3 4 5 6 7 8 9 10 11 12 13 14 15 16 17 18 19 20

A  
B  
C  
D  
E  
F  
G  
H  
J  
K  
L  
M  
N  
P

A  
B  
C  
D  
E  
F  
G  
H  
J  
K  
L  
M  
N  
P



NOTE:  
IT IS THE RESPONSIBILITY OF THE  
DESIGNER / END USER TO VERIFY THAT  
STRUCTURES BUILT WITH ECO-BLOCK  
HAVE BEEN DESIGNED, ENGINEERED, AND  
CONSTRUCTED IN ACCORDANCE WITH ALL  
APPLICABLE BUILDING CODES AND REGULATIONS



www.eco-blocknz.co.nz

330mm ECO-BLOCK SYSTEM  
CORNER BLOCK DOUBLE RETURN DIMENSION  
ICF SOLUTIONS LIMITED

|                           |                  |          |
|---------------------------|------------------|----------|
| SCALE<br>1:5              | SHEET SIZE<br>A3 | REV<br>1 |
| DRAWING NO.<br>EBNZ-P-009 |                  |          |

1 2 3 4 5 6 7 8 9 10 11 12 13 14 15 16 17 18 19 20